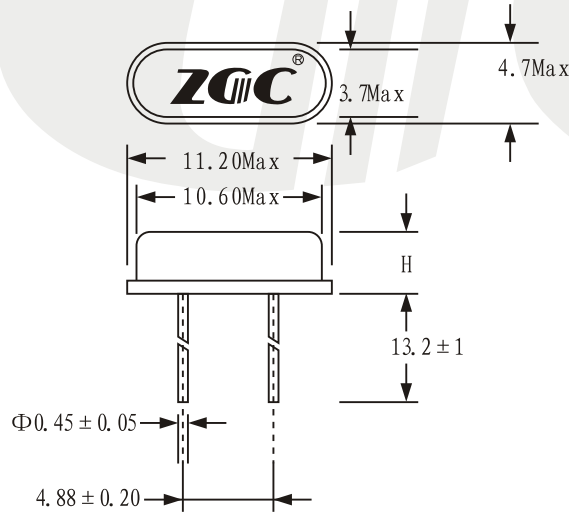


Series

HC-49/S HC-49/SS



External dimensions



Type	H
HC-49S	3.68Max
HC-49SS	2.50Max

Unit: mm

Item	Specification	Remarks
Nominal Frequency Range	3.500MHz to 30.000MHz	Fundamental Mode;AT Cut
	20.000MHz to 40.000MHz	Fundamental Mode;BT Cut
	24.000MHz to 60.000MHz	Overtone Mode;AT Cut
Frequency Tolerance	± 30PPM(Standard) at 25°C ± 3°C	Others are offered
Load Capacitance	Fund:10pF to ∞, O.T.:5pF to ∞	Please specify
Series Resistance	As ESR Table	
Drive Level	10 μW to 100 μW	1000 μW Max
Operating Temperature Range	-20°C to +70°C(Standard)	Others are offered
Storage Temperature Range	-55°C to +125°C	
Stability Over Temperature Range	± 30PPM(Standard)	Others are offered
Insulated Resistance	500MΩ	Minimum at 100Vdc
Aging	± 3PPM/Year	Maximum

Resistance of Series Resonance (ESR)					
Frequency(MHz)	Mode	Ohm Max	Frequency(MHz)	Mode	Ohm Max
3.5~3.999	Fund.	120	10.0~12.999	Fund.	40
4.0~4.999	Fund.	90	13.0~13.999	Fund.	35
5.0~5.999	Fund.	90	20.0~30.0	Fund.	25
6.0~6.999	Fund.	65	20.0~36.0(BT)	Fund.	25
7.0~7.999	Fund.	55	24.0~29.999	3 rd OT	120
8.0~8.999	Fund.	50	30.0~39.999	3 rd OT	80
9.0~9.999	Fund.	45	40.0~60.0	3 rd OT	60

Remark:

All specifications subject to change without notice.

Guangzhou ZGC Electronic Co. Ltd.

Tel:+86-20-28395111 Fax:+86-20-32068201

E-mail:market@worldzgc.com

Http://en.worldzgc.com